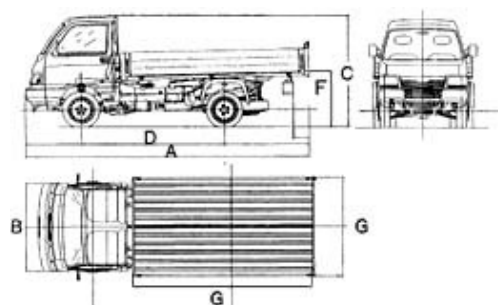




# PORTER Maxxi

## DIMENSIONS AND FEATURES

	long cargo deck		short cargo deck
	fixed tipper		tipper
total no. of seats			2
number of doors			2
length A (mm)	4.330		3.800
widt B (mm)		1.560	
height C (mm)		1.710	
wheelbase D (mm)		2.180	
load volume (m <sup>3</sup> )		-	
loading height from the ground F (mm)		850	
size of the loading floor/deck G (mm)	1.500x2.817		1.500x2.287
payload* (Kg)	1.120	1.040	1.060



\* Refers to petrol engine types. For values of other engine types please refer to the Performance Data Sheet.

## PERFORMANCES

	PETROL	
	long cargo deck	short cargo deck
	fixed tipper	tipper
displacement		1.300
max speed (Kmph)		120
max power (kw at rpm)		48/4.800
fuel injection system		indirect multipoint injection
fuel consumption (l/100 Km) at a constant 90 Km/h and full loaded		8,3
wheel drive		direct to rear wheels
transmission gear		5 synchro gears + reverse
cooling system		liquid (water + glycol)
tyres		165/65 R 14

### 4 Wheel Drive

The 4x4 model is only available with the petrol engine type and, at full load, it can manage a max. slope of 30%

front brakes	disc diam. 260 mm		
rear brakes	drum diam. 258 mm		
fuel tank (L)	35		
max ground weight (Kg)	2.200		
trailing mass (Kg)	-		
payload (Kg)	1.120	1.040	1.060

---